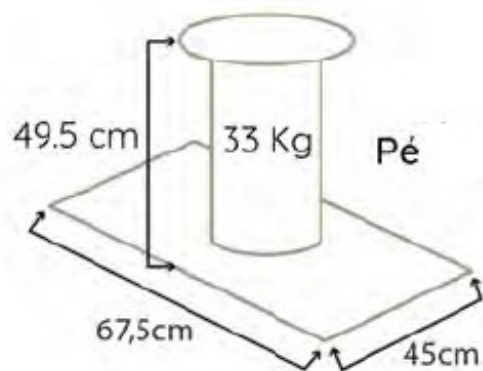
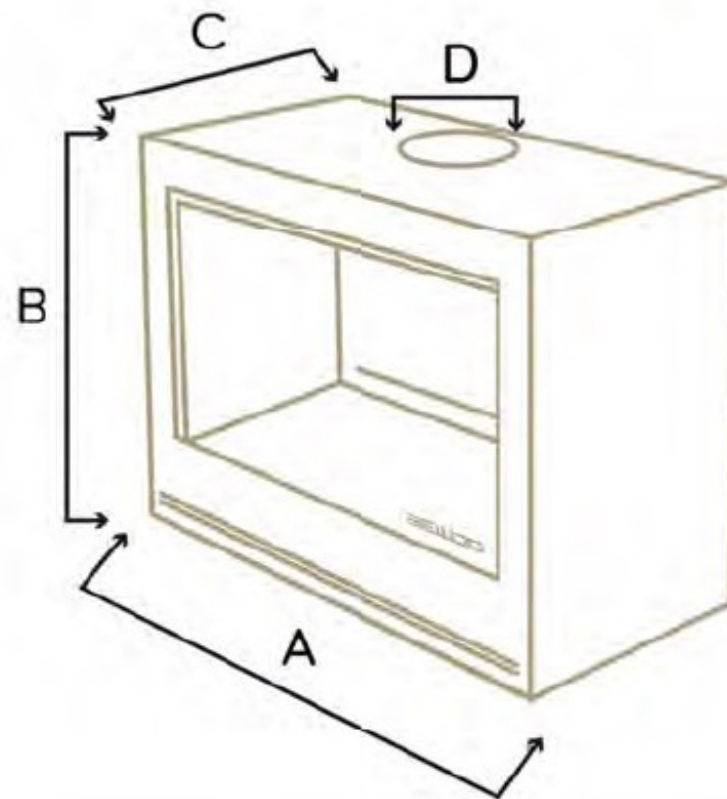


DIAMANTINE DF 70

DOBLE FRENTE



A	B	C	D
70.2	54.5	55.3	18



ENERGY

A++
A+
A
B
C
D
E
F
G

9,0	80,0			
70,2x54,5x55,3	210	18		